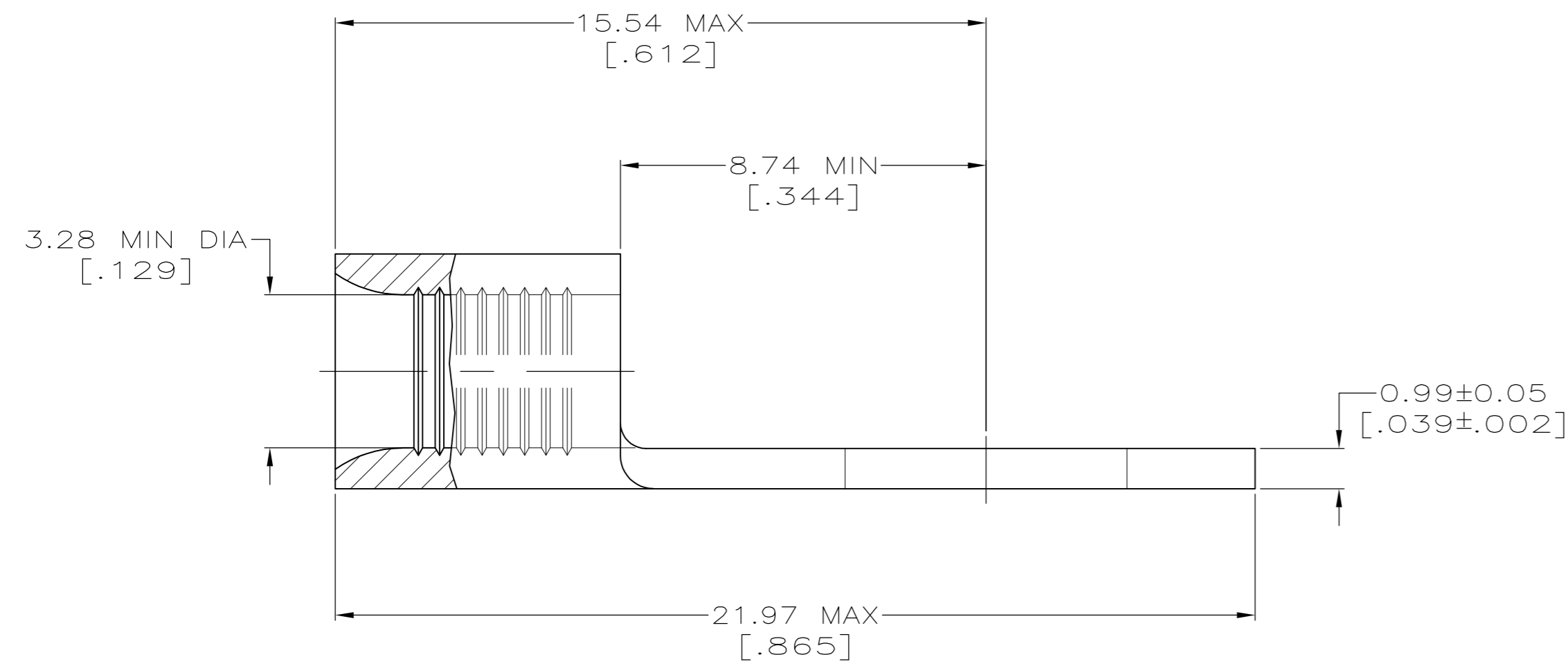
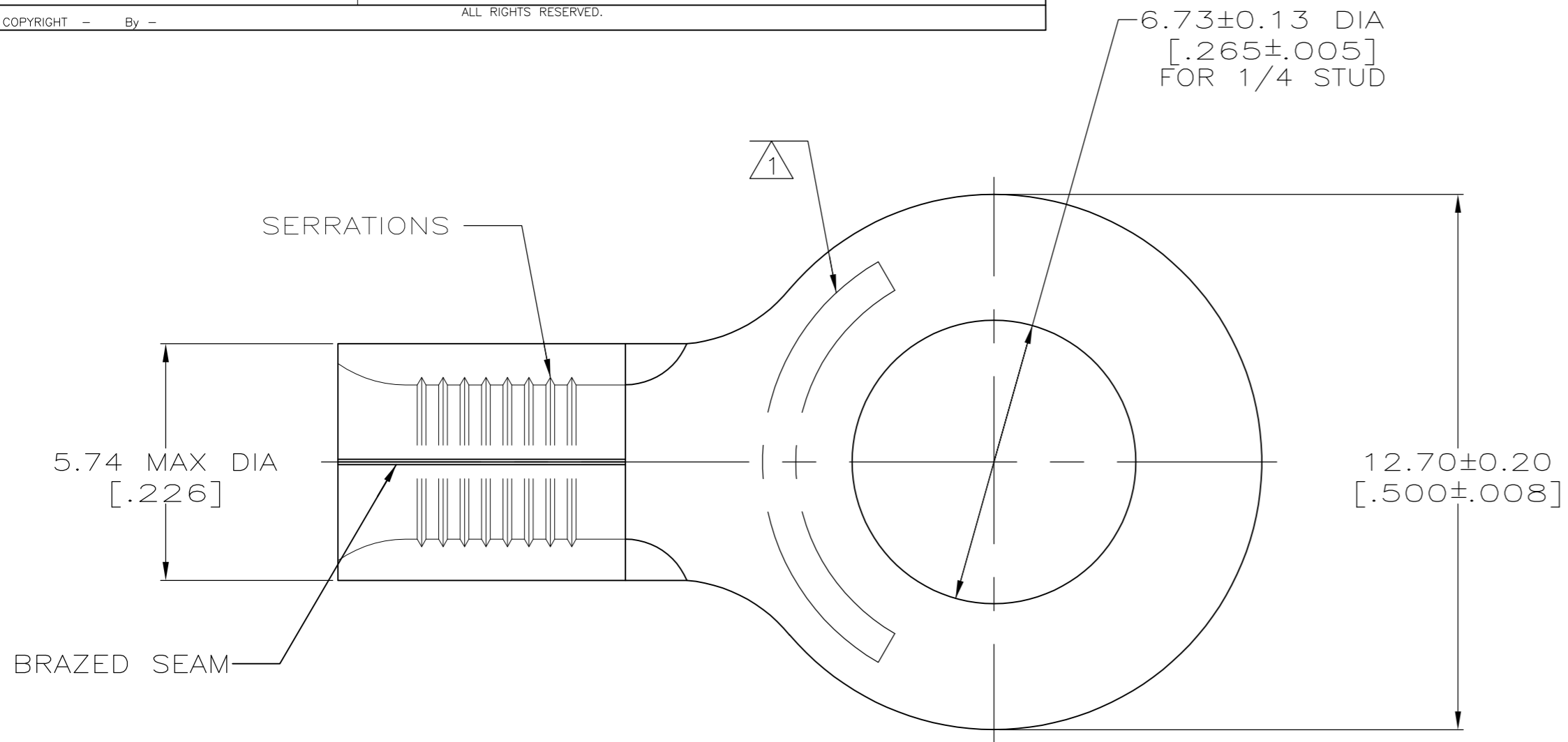


THIS DRAWING IS UNPUBLISHED. RELEASED FOR PUBLICATION  
 © COPYRIGHT - By - ALL RIGHTS RESERVED.

LOC	DIST	REVISIONS			DAP		
		P	LTR	DESCRIPTION	DATE	DWN	APVD
G	14			REVISED PER ECO-11-005027	11MAR11	RK	HMR



<b>AMP</b> WIRE RANGE	Listed FILE E13288	LR7189 Certified
12-10 AWG SOLID OR STRANDED	12-10 AWG STRANDED	12-10 AWG SOLID OR STRANDED

- 1 STAMP AMP 12-10\* APPROX AS SHOWN
- 2 MATERIAL: COPPER PER ASTM B-152, ANNEALED
- 3 TIN PLATE 0.00254 [.000100] MIN THK PER ASTM B-545.
- 4 GOLD PLATE 0.00127 [.000050] MIN THK PER MIL-G-45204 OVER NICKEL PLATE 0.0076 [.000030] MIN THK PER QQ-N-290.

FINISH	QTY	PACKAGE TYPE	PART NO.
4	----	LOOSE PIECE	35772-1
3	25	LOOSE PIECE, BAG	8-35772-5
3	50	LOOSE PIECE, BOX	8-35772-2
3	2500	ON TAPE	2-35772-1
3	----	LOOSE PIECE	35772

<b>AMP INCORPORATED</b> CUSTOMER SERVICE SYSTEMS		MAX RECOMMENDED OPERATING TEMPERATURE: 170°C
FOR ADDITIONAL PRODUCT INFORMATION OR COPIES OF DRAWINGS AND TECHNICAL DOCUMENTS	PRODUCT INFORMATION CENTER 1-800-522-6752	VOLTAGE RATING: N/A
FOR APPLICATION TOOLING INFORMATION	TOOLING ASSISTANCE CENTER 1-800-722-1111	CIRCULAR MIL AREA: 2.62-6.64mm <sup>2</sup> [5,180-13,100] SOLID OR STRANDED
FOR ORDER ENTRY	1-800-526-5142	THIS DRAWING IS A CONTROLLED DOCUMENT FOR AMP INCORPORATED. IT IS SUBJECT TO CHANGE AND THE CONTROLLING ENGINEERING ORGANIZATION SHOULD BE CONTACTED FOR THE LATEST REVISION.

THIS DRAWING IS A CONTROLLED DOCUMENT.		DWN TA BRINKMAN 3-17-93	TE Connectivity		
DIMENSIONS: INCHES		CHK DA PATTERSON 3-17-93			
TOLERANCES UNLESS OTHERWISE SPECIFIED:		APVD JL MECKEY 3-17-93	NAME TERMINAL, RING TONGUE, SOLISTRAND		
0 PLC ± - 1 PLC ± - 2 PLC ± - 3 PLC ± - 4 PLC ± - ANGLES ± -		PRODUCT SPEC APPLICATION SPEC	SIZE A2	CAGE CODE 00779	DRAWING NO C-35772
MATERIAL - 2	FINISH SEE TABLE	WEIGHT -	RESTRICTED TO -	SCALE 8:1	SHEET 1 of 1
CUSTOMER DRAWING			REV E3		